

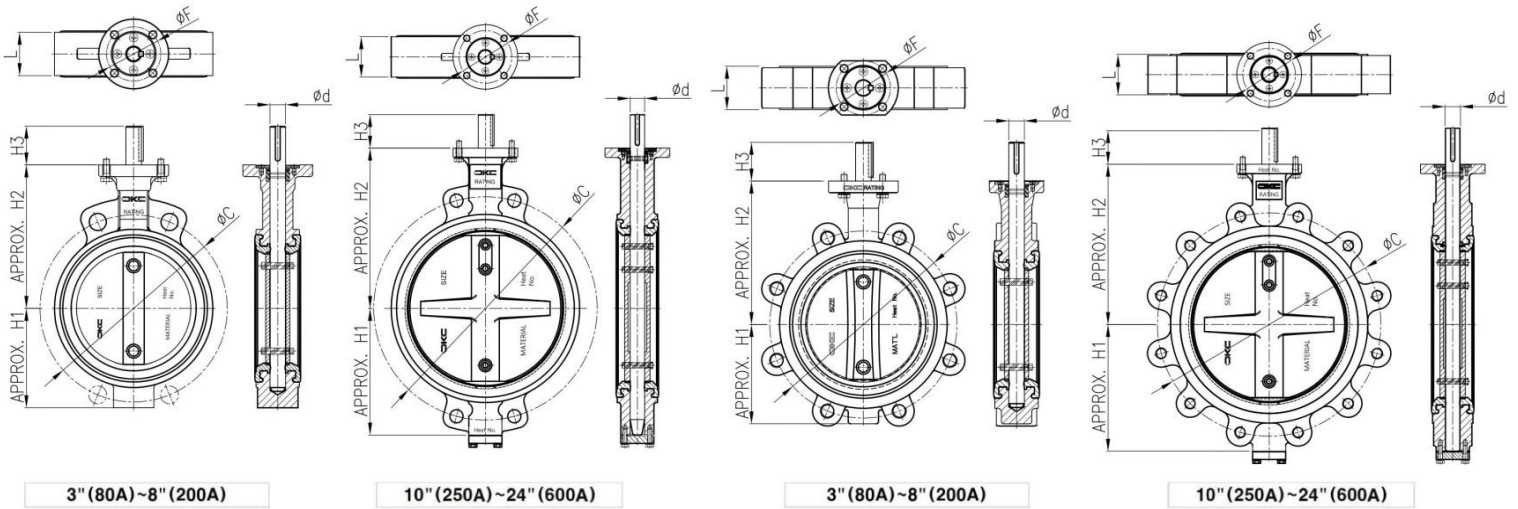


# HIGH PRESSURE CONCENTRIC BUTTERFLY VALVE

## Main Feature

- UL Listed Concentric Butterfly valve at pressure 18bar.g
- Max. allowable Pressure 740psig (51barg) withstands equivalent pressure like Double Eccentric Butterfly Valve.
- Integral design of bonded rubber seat with body enables robust endurance and long operating life.
- Lighter weight of the valve makes it easy to handle and install at site compare to other types of Valve.
- Face to Face Dimension :  
API 609 Category A for class JIS 20k/ANSI150LB
- Vertical & Horizontal installation

Range	Application	
Size	3"(DN80)~24"(DN600)	
Fluid	Water, Oil	
Rating	JIS20K/ANSI150LB	
End Connection	Wafer / Lug	
Temp. Range	EPDM -20~120℃	
	NBR -20~80℃	
	VITON -20~165℃	
	Body	Ductile/Caststeel
Materials	Disc	Stainless Steel/Duplex/Albronze
	Seat	Rubber



## JIS20K/ANSI150LB

VALVE SIZE		L	H1	H2	H3	Φd	ΦF
mm	inch	WAFER/LUG	APPROX.	APPROX.	APPROX.		
80	3	46	78	150	46	16	F07
100	4	52	93	163	46	16	F07
150	6	56	128	185	46	20	F07
200	8	60	155	230	72	22	F10
250	10	68	222	257	72	25	F10
300	12	78	259	300	72	28	F10
350	14	78	298	338	72	32	F10
400	16	102	305	370	90	35	F14
450	18	114	358	390	90	40	F14
500	20	127	396	450	100	45	F16
550	22	154	430	580	100	50	F16
600	24	154	457	505	100	55	F16